



macchine per caffè



silvia

DIAGRAMS

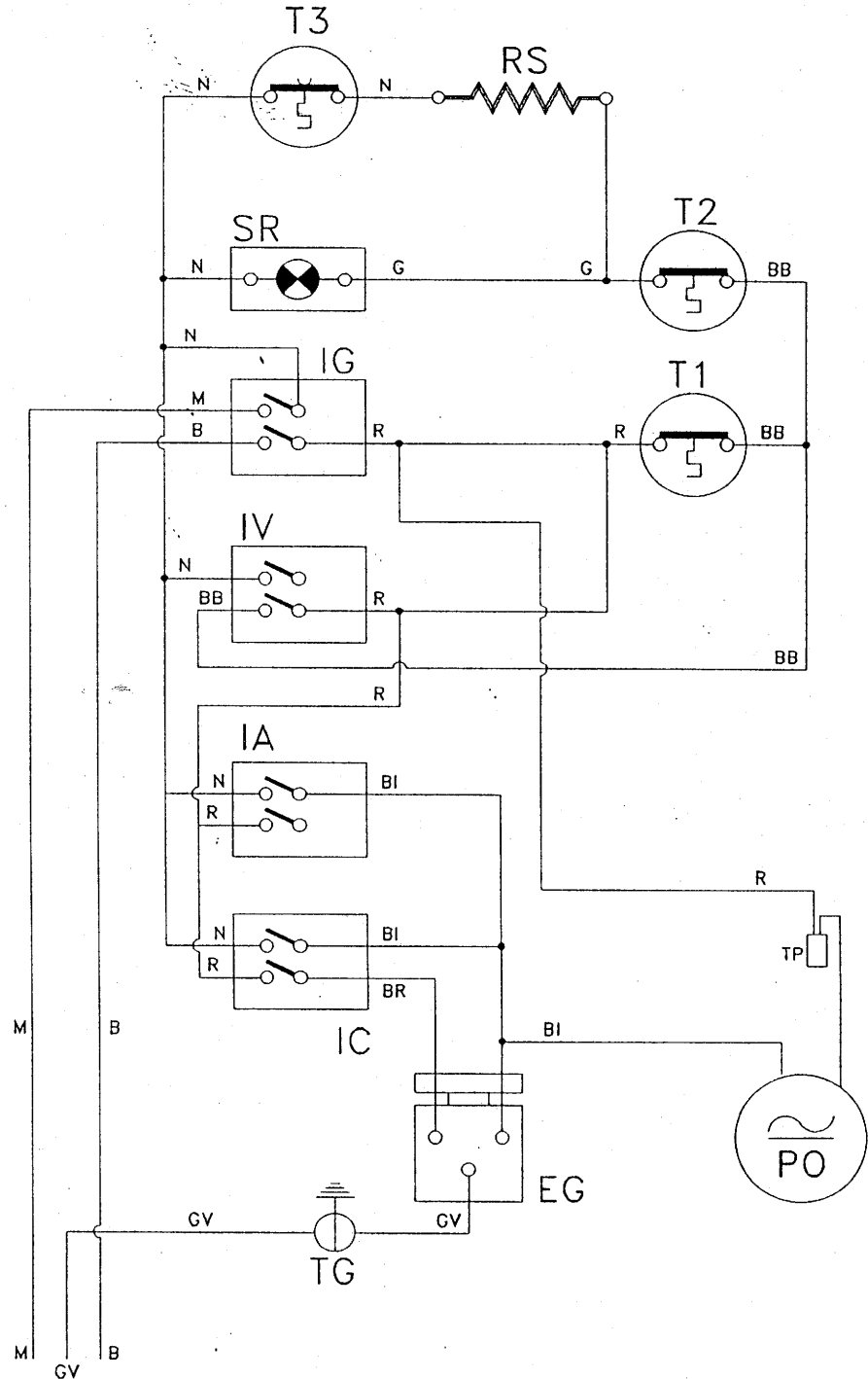
EG = elettrovalvola
IA = interruttore acqua
IC = interruttore caffè
IG = interruttore generale
IV = interruttore vapore
PO = pompa vibrazione
RS = resistenza
SR = spia resistenza
T1 = termostato 110°
T2 = termostato 140°
T3 = termostato 165°
TG = terra gruppo
TP = termoprotettore

EG = soupape électrique
IA = interrupteur eau
IC = interrupteur café
IG = interrupteur general
IV = interrupteur vapeur
PO = pompe à vibration
RS = resistance
SR = voyant resistance
T1 = thermostat 110°
T2 = thermostat 140°
T3 = thermostat 165°
TG = mise à terre du groupe
TP = protection thermique

EG = elektroventil
IA = wasserschalter
IC = kaffeeschalter
IG = hauptschalter
IV = dampfschalter
PO = vibrationpumpe
RS = widerstand
SR = widerstand-kontrolllampe
T1 = thermostat 110°
T2 = thermostat 140°
T3 = thermostat 165°
TG = erde der gruppe
TP = wärmeschutzvorrichtung

EG = electrovalve
IA = switch water
IC = coffee switch
IG = general switch
IV = steam switch
PO = vibration pump
RS = heating element
SR = heating light
T1 = thermostat 110°
T2 = thermostat 140°
T3 = thermostat 165°
TG = earth of the groupe
TP = thermal protection

EG = electroválvula
IA = interruptor agua
IC = interruptor café
IG = interruptor general
IV = interruptor vapor
PO = bomba vibración
RS = resistencia
SR = indicador resistencia
T1 = termostato 110°
T2 = termostato 140°
T3 = termostato 165°
TG = puesta a tierra del grupo
TP = protección térmica



B = blu / bleu / blau / blue / azul
BB = biancoblu / blanc-bleu / weiss-blau / white-blue / blanco-azul
BI = bianco / blanc / weiss / white / blanco
BR = biancorosso / blanc-rouge / weiss-rot / white-red / blanco-rojo
G = giallo / jaune / gelb / yellow / amarillo
GV = gialloverde / jaune-vert / gelb-gruen / yellow-green / amarillo-verde
M = marrone / marron / braun / brown / marron
N = nero / noir / schwarz / black / negro
R = rosso / rouge / rot / red / rojo